

# AFL2-17A-H61

Intel® 2nd Gen Core™ i7/i5/i3 Solution



# AFL2-W19A-H61

Intel® 2nd Gen Core™ i7/i5/i3 Solution



AFL2-17A-H61

## Features

- Programmable colorful LED light bar
- 2nd Generation Intel® Core™ i7/ i5/ i3, Pentium® and Celeron® processor
- Two 204-pin DDR3 SO-DIMM slot (system max. 16GB) preinstalled with 4GB (2GB x 2)
- Projected capacitive touchscreen and 5-wire resistive type touchscreen supported
- Wi-Fi 802.11b/g/n 2T2R high speed wireless
- EM or Mifare RFID reader
- Built-in 2M pixels webcam with AF, AE and AWB capabilities
- Built-in two 2W speakers and microphone
- IP64 compliant front panel
- Auto dimming control
- Light fanless design
- K-type thermocouple temperature sensor
- Wide range 9~36 VDC input



## Specifications

Model		AFL2-17A-H61	AFL2-W19A-H61
LCD Specifications	Size	17" (4:3)	W18.9" (16:10)
	Resolution	1280 (W) x 1024 (H)	1440 (W) X 900 (H)
	Brightness (cd/m <sup>2</sup> )	350	250
	Contrast Ratio	1000:1	1000:1
	LCD Color	16.7M	16.7M
	Pixel Pitch (mm)	0.264 (H) x 0.264 (V)	0.2835 (H) x 0.2835 (V)
	Viewing Angle (H-V)	170° / 170°	170° / 160°
	Backlight MTBF	50,000 (LED backlight)	30,000 (LED backlight)
System	CPU	2nd Generation Intel® Core™ i7/ i5/ i3, Pentium® and Celeron® processor	
	Chipset	Intel® H61	
	RAM	Support two 204-pin DDR3 SO-DIMM slot (system max. 16GB) preinstalled with 4GB (2GB x 2)	
	Ethernet	Realtek RTL8111E PCIe GbE controller supports ASF 2.0	
	SSD	N/A	
	HDD	2.5" SATA 3Gb/s HDD bay	
	CD-ROM	1 x Slim Type CD-ROM bay	
	Input / Output	2 x RS-232 (DB-9 connector) RS-422/485 (DB-9 connector) 2 x GbE LAN (one on the bottom, one on the left) 2 x USB 3.0 3 x USB 2.0 (two on the bottom, one on the left) 1 x Mini USB port on front panel 1 x Micro SD card slot on front panel 1 x Line-out, Mic (on the left)	VGA port (DB-15 connector) HDMI port Power switch AT/ATX switch Reset button Clear CMOS button 9 ~ 36V DC input jack
	Expansion Interface	1 x PCIe Mini slot for Wi-Fi, 1 x PCIe Mini slot reserved	
	Other Features	Audio	AMP 2W + 2W (internal speaker)
Camera		2 M pixels with low light function	
RFID Reader		EM 125 KHz or Mifare 13.56 MHz card reader (optional)	
MSR Card Reader		MSR card reader (optional)	
TPM		Reserved by pin-header	
OSD Function		LCD on/off, brightness up/down, volume up/down, Hot Key	
Ambient Light Sensor		Yes	
Infrared Remote Controller		Yes	
Touch Screen		5-wire resistive type or projected capacitive type touch screen	
LED Light Bar		Yes	
Wireless	System Cooling	Light fanless (smart fan operates above default temperature setting)	
		1 x Wireless LAN 802.11 b/g/n module (internal PCIe Mini card interface) 1 x Bluetooth function (optional internal USB interface, Bluetooth V2.0+EDR)	
Physical	Construction Front Panel	PC + ABS Plastic	
	Mounting	Panel, Wall, Rack, Stand, Arm VESA 100mm x 100mm	Panel, Wall, Stand, Arm VESA 100mm x 100mm
	Color	Black	
	Dimensions (mm)	418 (W) x 378 (H) x 65 (D)	488 (W) x 361 (H) x 65 (D)
	Weight (N/G)	6.9 kg / 9.0 kg	7.3 kg / 10 Kg
Environment	Operating Temperature (°C) (Ambient with air flow)	-20°C ~ 40°C	
	Storage Temperature (°C)	-20°C ~ 60°C	
	Humidity	10% to 95% (non-condensing)	
	IP Level	IP 64 compliant front panel	
	Safety&EMC	CE / FCC	
Power	Power Supply	120W power adapter Input:100 V AC ~ 240 V AC, 50 / 60Hz, Output: 19 V DC	
	Power Requirement	9 ~ 36 VDC	9 ~ 36 VDC

1

IEI Mobile Solutions

2

Automation Panel Solutions

3

RISC-based Solutions

4

PACSmate Medical Solutions

5

Optional Peripherals



## Ordering Information

### AFL2-17A-H61/AFL2-17AB-H61

Part No.			Description
Core i5	Resistive Touch	AFL2-17A-H61-i5/R-R11	17" 350cd/m <sup>2</sup> SXGA panel PC, Core i5 Dual Core 2xxxT CPU (Above 2.7GHz), TDP 35W, 2GB DDR3 RAM*2, 802.11b/g/n wireless module, resistive touch screen, 2M camera, microphone, R11
		AFL2-17AB-H61-i5/R-R11	17" 350cd/m <sup>2</sup> SXGA panel PC, Core i5 Dual Core 2xxxT CPU (Above 2.7GHz), TDP 35W, 2GB DDR3 RAM*2, 802.11b/g/n wireless module, resistive touch screen, 2M camera, microphone, without LED bar, R11
	Projected Capacitive Touch	AFL2-17A-H61-i5/PC-R11	17" 350cd/m <sup>2</sup> SXGA panel PC, Core i5 Dual Core 2xxxT CPU (Above 2.7GHz), TDP 35W, 2GB DDR3 RAM*2, 802.11b/g/n wireless module, projected capacitive touchscreen, 2M camera, microphone, R11
		AFL2-17AB-H61-i5/PC-R11	17" 350cd/m <sup>2</sup> SXGA panel PC, Core i5 Dual Core 2xxxT CPU (Above 2.7GHz), TDP 35W, 2GB DDR3 RAM*2, 802.11b/g/n wireless module, projected capacitive touchscreen, 2M camera, microphone, without LED bar, R11
Core i3	Resistive Touch	AFL2-17A-H61-i3/R-R11	17" 350cd/m <sup>2</sup> SXGA panel PC, Core i3 Dual Core 2xxxT CPU (Above 2.5GHz), TDP 35W, 2GB DDR3 RAM*2, 802.11b/g/n wireless module, resistive touch screen, 2M camera, microphone, R11
		AFL2-17AB-H61-i3/R-R11	17" 350cd/m <sup>2</sup> SXGA panel PC, Core i3 Dual Core 2xxxT CPU (Above 2.5GHz), TDP 35W, 2GB DDR3 RAM*2, 802.11b/g/n wireless module, resistive touch screen, 2M camera, microphone, without LED bar, R11
	Projected Capacitive Touch	AFL2-17A-H61-i3/PC-R11	17" 350cd/m <sup>2</sup> SXGA panel PC, Core i3 Dual Core 2xxxT CPU (Above 2.5GHz), TDP 35W, 2GB DDR3 RAM*2, 802.11b/g/n wireless module, projected capacitive touchscreen, 2M camera, microphone, R11
		AFL2-17AB-H61-i3/PC-R11	17" 350cd/m <sup>2</sup> SXGA panel PC, Core i3 Dual Core 2xxxT CPU (Above 2.5GHz), TDP 35W, 2GB DDR3 RAM*2, 802.11b/g/n wireless module, projected capacitive touchscreen, 2M camera, microphone, without LED bar, R11
Pentium	Resistive Touch	AFL2-17A-H61-P/R-R11	17" 350cd/m <sup>2</sup> SXGA panel PC, Pentium Dual Core G6xxT CPU (Above 2.2GHz), TDP 35W, 2GB DDR3 RAM*2, 802.11b/g/n wireless module, resistive touch screen, 2M camera, microphone, R11
		AFL2-17AB-H61-P/R-R11	17" 350cd/m <sup>2</sup> SXGA panel PC, Pentium Dual Core G6xxT CPU (Above 2.2GHz), TDP 35W, 2GB DDR3 RAM*2, 802.11b/g/n wireless module, resistive touch screen, 2M camera, microphone, without LED bar, R11
	Projected Capacitive Touch	AFL2-17A-H61-P/PC-R11	17" 350cd/m <sup>2</sup> SXGA panel PC, Pentium Dual Core G6xxT CPU (Above 2.2GHz), TDP 35W, 2GB DDR3 RAM*2, 802.11b/g/n wireless module, projected capacitive touchscreen, 2M camera, microphone, R11
		AFL2-17AB-H61-P/PC-R11	17" 350cd/m <sup>2</sup> SXGA panel PC, Pentium Dual Core G6xxT CPU (Above 2.2GHz), TDP 35W, 2GB DDR3 RAM*2, 802.11b/g/n wireless module, projected capacitive touchscreen, 2M camera, microphone, without LED bar, R11

1

IEI Mobile Solutions

2

Automation Panel Solutions

3

RISC-based Solutions

4

PACSmate Medical Solutions

5

Optional Peripherals

## Options

Item	AFL2-17A-H61	AFL2-W19A-H61
Panel Mounting Kit		AFL2PK-17A
Wall Mounting Kit		AFLWK-19/AFLWK-19B
Rack Mounting Kit	AFL2RK-17A	AFL2RK-W19
Arm		ARM-31-RS
Stand	STAND-A19/STAND-B19/STAND-C19/STAND-210-R11/STAND-A26-R11	
Hybrid Card Reader		AFL2P-12AMSI-U-R10
Magnetic Stripe Reader		AFL2P-12AMSR-U-R10
Slim DVD Burner		73400-AD7700S01-RS
Bluetooth Module Kit		AFL2-BT-KIT01-R11
Trusted Platform Module (TPM)		TPM-IN01-R11
EM RFID Reader		AFL2-EM-RFID-KIT01-R10
Mifare RFID Reader		AFL2-MF-RFID-KIT01-R10
OS: Win CE 6.0 (CD-ROM)		AFL2-17A-H61-CE060-R10
OS: Win XPE (CD-ROM)		AFL2-17A-H61-XPE-R10
OS: Linux (CD-ROM)		AFL2-17A-H61-LNX-R10
OS: Win 7 Embedded (DVD-ROM)	AFL2-17A-H61-WES7P-R10 (for Projected Capacitive Touch) AFL2-17A-H61-WES7E-R10 (for Resistive Touch)	



## Ordering Information

### AFL2-W19A-H61/AFL2-W19AB-H61

Part No.			Description
Core i5	Resistive Touch	AFL2-W19A-H61-i5/R-R11	18.9" 250cd/m <sup>2</sup> WXGA+ panel PC, Core i5 Dual Core 2xxxT CPU (Above 2.7GHz), TDP 35W, 2GB DDR3 RAM*2, 802.11b/g/n wireless module, resistive touch screen, 2M camera, microphone, R11
		AFL2-W19AB-H61-i5/R-R11	18.9" 250cd/m <sup>2</sup> WXGA+ panel PC, Core i5 Dual Core 2xxxT CPU (Above 2.7GHz), TDP 35W, 2GB DDR3 RAM*2, 802.11b/g/n wireless module, resistive touch screen, 2M camera, microphone, without LED bar, R11
	Projected Capacitive Touch	AFL2-W19A-H61-i5/PC-R11	18.9" 250cd/m <sup>2</sup> WXGA+ panel PC, Core i5 Dual Core 2xxxT CPU (Above 2.7GHz), TDP 35W, 2GB DDR3 RAM*2, 802.11b/g/n wireless module, projected capacitive touchscreen, 2M camera, microphone, R11
		AFL2-W19AB-H61-i5/PC-R11	18.9" 250cd/m <sup>2</sup> WXGA+ panel PC, Core i5 Dual Core 2xxxT CPU (Above 2.7GHz), TDP 35W, 2GB DDR3 RAM*2, 802.11b/g/n wireless module, projected capacitive touchscreen, 2M camera, microphone, without LED bar, R11
Core i3	Resistive Touch	AFL2-W19A-H61-i3/R-R11	18.9" 250cd/m <sup>2</sup> WXGA+ panel PC, Core i3 Dual Core 2xxxT CPU (Above 2.5GHz), TDP 35W, 2GB DDR3 RAM*2, 802.11b/g/n wireless module, resistive touch screen, 2M camera, microphone, R11
		AFL2-W19AB-H61-i3/R-R11	18.9" 250cd/m <sup>2</sup> WXGA+ panel PC, Core i3 Dual Core 2xxxT CPU (Above 2.5GHz), TDP 35W, 2GB DDR3 RAM*2, 802.11b/g/n wireless module, resistive touch screen, 2M camera, microphone, without LED bar, R11
	Projected Capacitive Touch	AFL2-W19A-H61-i3/PC-R11	18.9" 250cd/m <sup>2</sup> WXGA+ panel PC, Core i3 Dual Core 2xxxT CPU (Above 2.5GHz), TDP 35W, 2GB DDR3 RAM*2, 802.11b/g/n wireless module, projected capacitive touchscreen, 2M camera, microphone, R11
		AFL2-W19AB-H61-i3/PC-R11	18.9" 250cd/m <sup>2</sup> WXGA+ panel PC, Core i3 Dual Core 2xxxT CPU (Above 2.5GHz), TDP 35W, 2GB DDR3 RAM*2, 802.11b/g/n wireless module, projected capacitive touchscreen, 2M camera, microphone, without LED bar, R11
Pentium	Resistive Touch	AFL2-W19A-H61-P/R-R11	18.9" 250cd/m <sup>2</sup> WXGA+ panel PC, Pentium Dual Core G6xxT CPU (Above 2.2GHz), TDP 35W, 2GB DDR3 RAM*2, 802.11b/g/n wireless module, resistive touch screen, 2M camera, microphone, R11
		AFL2-W19AB-H61-P/R-R11	18.9" 250cd/m <sup>2</sup> WXGA+ panel PC, Pentium Dual Core G6xxT CPU (Above 2.2GHz), TDP 35W, 2GB DDR3 RAM*2, 802.11b/g/n wireless module, resistive touch screen, 2M camera, microphone, without LED bar, R11
	Projected Capacitive Touch	AFL2-W19A-H61-P/PC-R11	18.9" 250cd/m <sup>2</sup> WXGA+ panel PC, Pentium Dual Core G6xxT CPU (Above 2.2GHz), TDP 35W, 2GB DDR3 RAM*2, 802.11b/g/n wireless module, projected capacitive touchscreen, 2M camera, microphone, R11
		AFL2-W19AB-H61-P/PC-R11	18.9" 250cd/m <sup>2</sup> WXGA+ panel PC, Pentium Dual Core G6xxT CPU (Above 2.2GHz), TDP 35W, 2GB DDR3 RAM*2, 802.11b/g/n wireless module, projected capacitive touchscreen, 2M camera, microphone, without LED bar, R11

## Packing List

Item	P/N	Q'ty	Description
Utility CD		1	drivers and user manual
One Key Recovery CD		1	
Power Adapter	63000-FSP120AAB-RS	1	FSP120-AAB;90-264VAC input ; 120W ;19VAC output
Power Cord	32702-000401-100-RS	1	European, 1500mm
Power Transfer Cord	32000-089400-RS	1	
Infrared Remote Controller	7Z000-SLPCB005-RS	1	
M3 Screw Pack	44013-030041-RS	4	M3 x 4 for securing HDD
M4 Screw Pack	44033-040061-RS	4	M4 x 4 for VESA screw
I/O Bracket	41013-0290C2-00-RS	1	I/O Bracket
Temperature Sensor Cable	32133-004300-100-RS	1	
Pen	43125-0002C0-00-RS	1	For Resistive Touch

## CD-RW/DVD-RW Driver Spec.

The drive is able to write CD-R/RW disks, DVD+R/RW disks and DVD-R/RW disks

Drive Type	Internal Slim CD-RW/DVD Combo Drive	
Data Transfer Rate	Write: DVD+R/DVD+RW/DVD-R: 8X DVD-RW: 6X CD-R/CD-RW: 24X	Read: DVD-ROM: 8X CD-ROM: 24X
Interface	SATA	
Buffer Memory	2MB	

1

IEI Mobile Solutions

2

Automation Panel Solutions

3

RISC-based Solutions

4

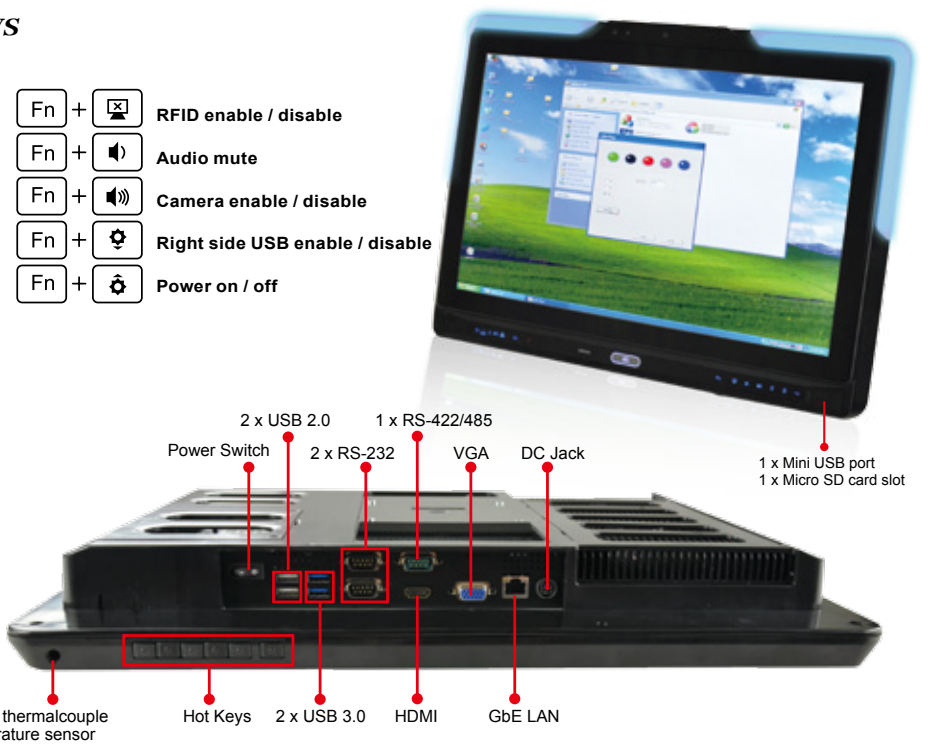
PACsmate Medical Solutions

5

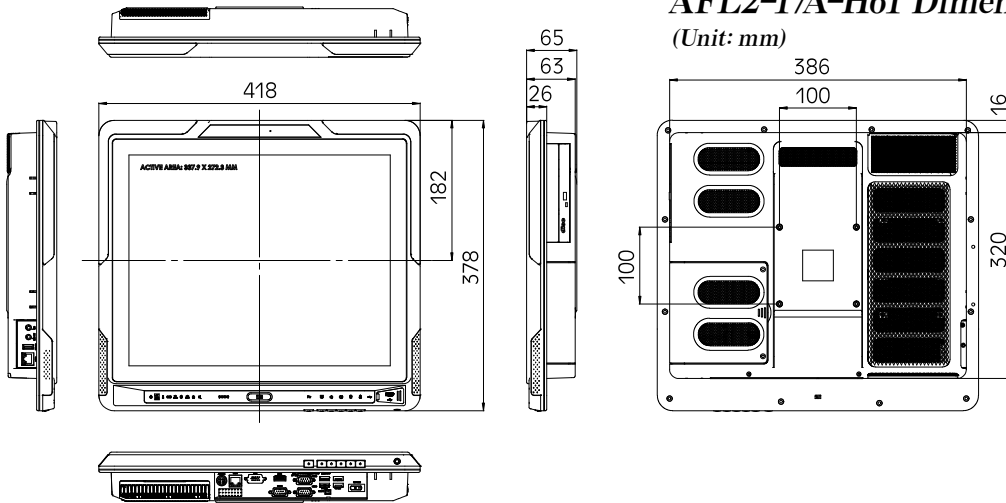
Optional Peripherals

**Function Keys**

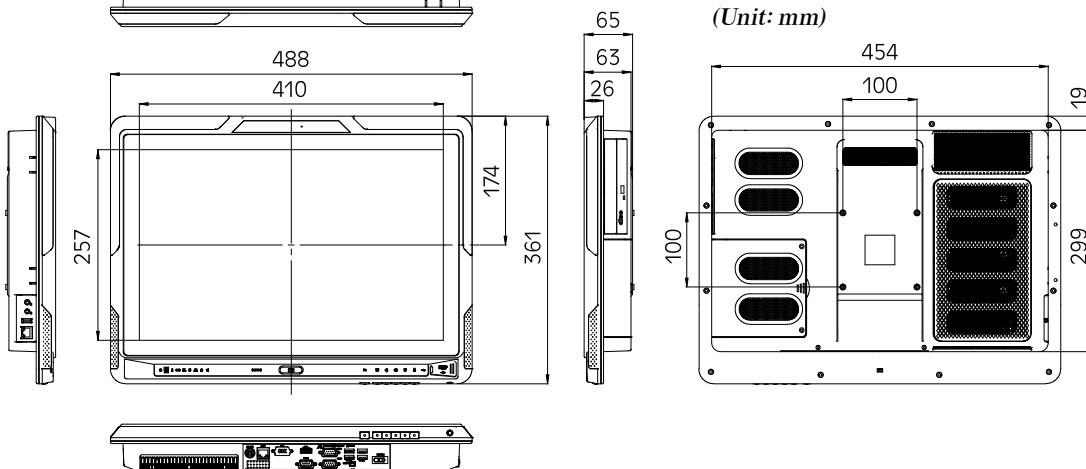
- |              |                  |                                 |
|--------------|------------------|---------------------------------|
| Fn           | Backlight On/Off | RFID enable / disable           |
| Audio -      | Audio +          | Audio mute                      |
| Brightness - | Brightness +     | Camera enable / disable         |
|              |                  | Right side USB enable / disable |
|              |                  | Power on / off                  |



**AFL2-17A-H61 Dimensions**  
(Unit: mm)



**AFL2-W19A-H61 Dimensions**  
(Unit: mm)



1

IEI Mobile Solutions

2

Automation Panel Solutions

3

RISC-based Solutions

4

PACSmate Medical Solutions

5

Optional Peripherals